

ACTUATOR LA22

Features:

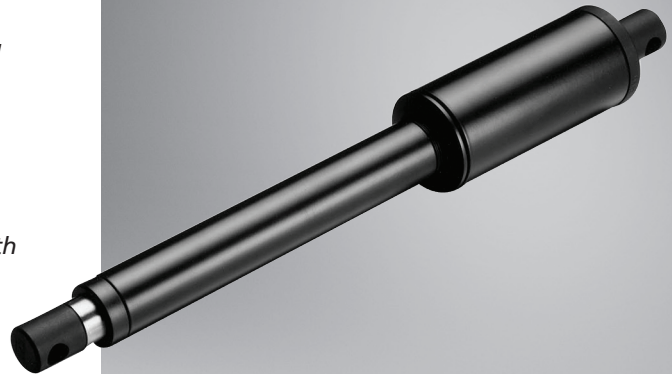
- 12/24 V DC permanent magnet motor
- Max. thrust 400 N
- Stainless steel piston rod and piston rod eye made of reinforced plastic.
- Duty cycle: Max. 10% or 2 min. in use followed by 18 min. not in use.
- Ambient temperature +5° to +40° C
- Compact construction/design
- Protection class: IP51
- Colour: black
- 1.0 m straight cable without plug (no cable with IP51)
- Speed max. 37 mm/s
- Extremely quiet operation
- Max. stroke length 200 mm
- Storage temperature: - 40° to + 70° C

Options:

- Protection class: IP65 (only back fixture D and E)

Usage:

- Should LA22 be used with a non LINAK control unit, please ask the nearest LINAK representative for further details.



TECHLINE™
IMPROVING FLEXIBILITY
CARELINE™
IMPROVING EFFICIENCY

LA22 is an in-line actuator specially designed with a small overall dimension for easy use in industrial, agricultural and rehabilitation products.

Thanks to its small outer dimensions and linear design, LA22 is well suited for applications where installation space is limited, such as on wheel-chairs.

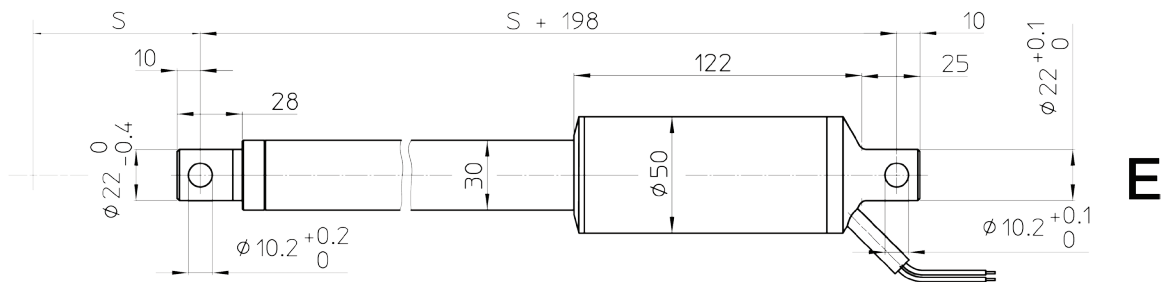
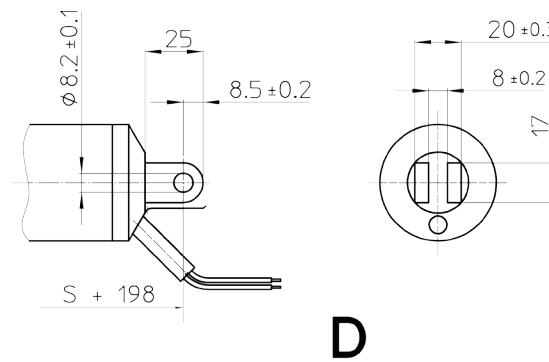
Technical specifications:

Type	Thrust max. Push	Self-lock max. Push	Thrust max. Pull	Self-lock max. Pull	Typical speed (mm/s) 0/full load*		Stroke length (mm)				Duty cycle (%)	Typical amp. at full load (A)	
	(N)	(N)	(N)	(N)								12V	24V
1 mm pitch	300	300	-	-	37	17.5	50	100	150	200	10	4.5	2.1
0,8 mm pitch	400	400	-	-	27	13.5	50	100	150	200	10	5.9	2.5

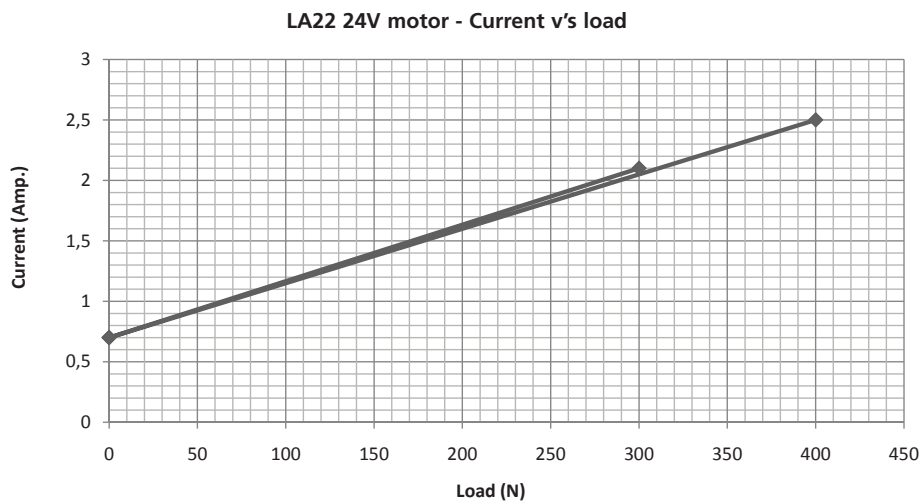
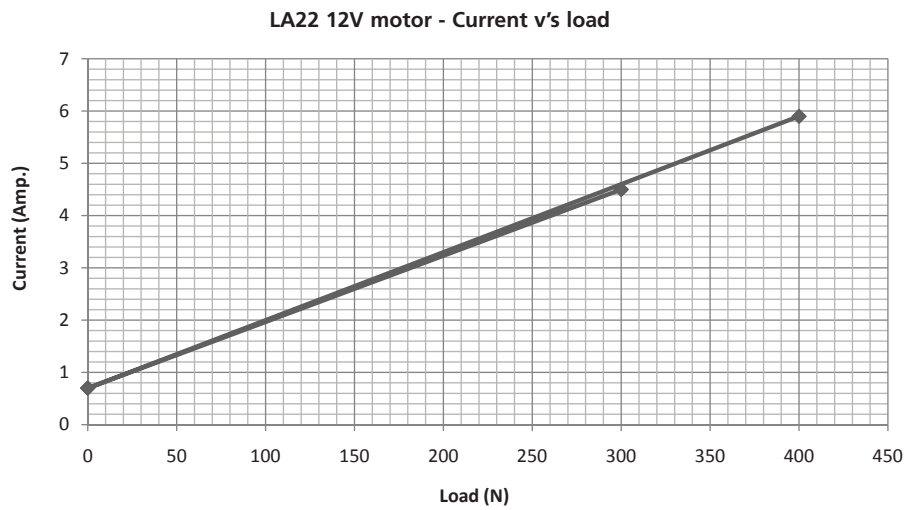
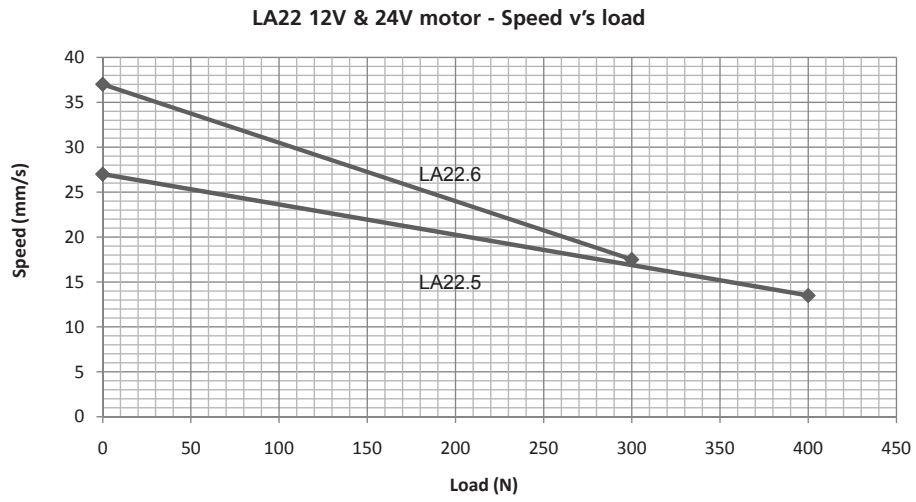
* The speed values for both the 12V and 24V motor are the same.

- LINAK control boxes are designed so that they will short-circuit the motor terminals (poles) of the actuator(s), when the actuator(s) are not running. This solution give the actuator(s) a higher self-locking ability. If the actuator(s) are not connected to a LINAK control box, the terminals of the motor must be short-circuited to give a higher selflocking ability.
- The above figures are with an ambient temperature of 20°C.
- If the LA22 0.8mm pitch is connected to a CB8 the max. thrust will be reduced by approx. 25%.
- There is no "pull" test data available at the present time, for more information please contact LINAK A/S.

Dimensions:

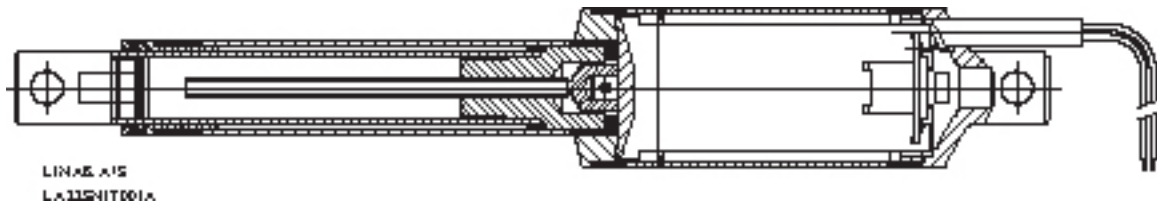
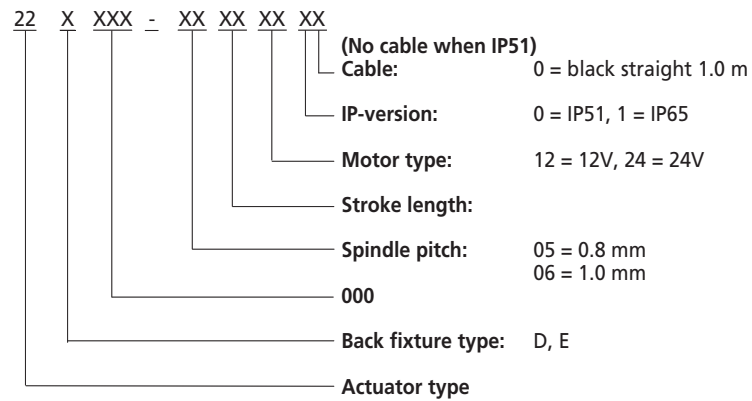


Graph:



LA22

Ordering example:



Accessories

- CS16: electric limit switch, trips out the current to the actuator in the end position
- Possibility of connecting a handset to the CS16
- LS/LSD: limit switch, to be mounted on the actuator

Other information

- LA22 dB (A) 50; measuring method DS/EN ISO 3746, actuator not loaded

THE CURRENT SUPPLY TO LINEAR ACTUATORS MUST BE CUT OFF IN CASE OF OVERLOAD AND WHEN THE ACTUATORS REACH END POSITION.

Terms of use

The user is responsible for determining the suitability of LINAK products for specific application. LINAK takes great care in providing accurate and up-to-date information on its products. However, due to continuous development in order to improve its products, LINAK products are subject to frequent modifications and changes without prior notice. Therefore, LINAK cannot guarantee the correct and actual status of said information on its products. While LINAK uses its best efforts to fulfil orders, LINAK cannot, for the same reasons as mentioned above, guarantee the availability of any particular product. Therefore, LINAK reserves the right to discontinue the sale of any product displayed on its website or listed in its catalogues or other written material drawn up by LINAK. All sales are subject to the Standard Terms of Sale and Delivery for LINAK. For a copy hereof, please contact LINAK.